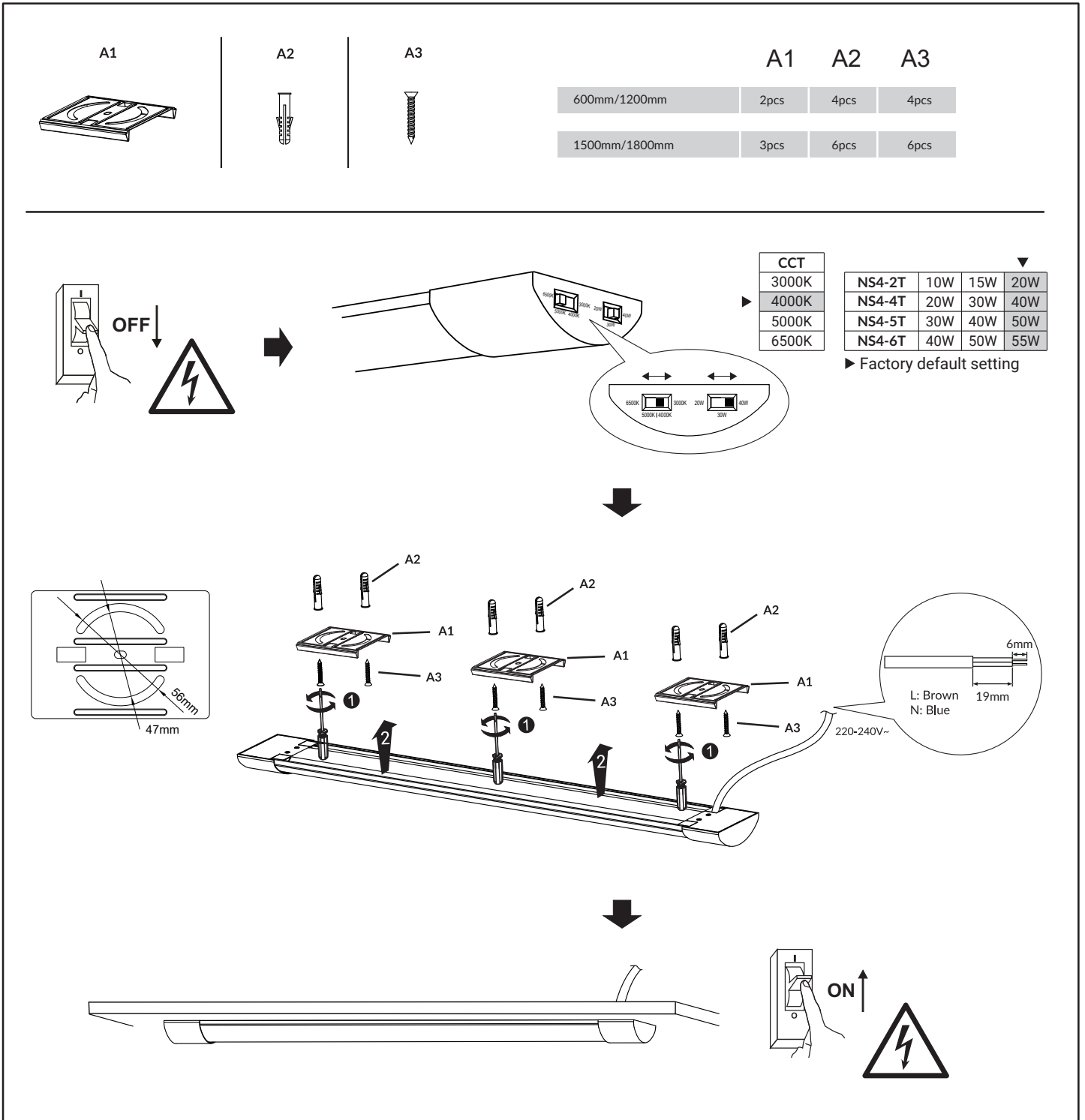


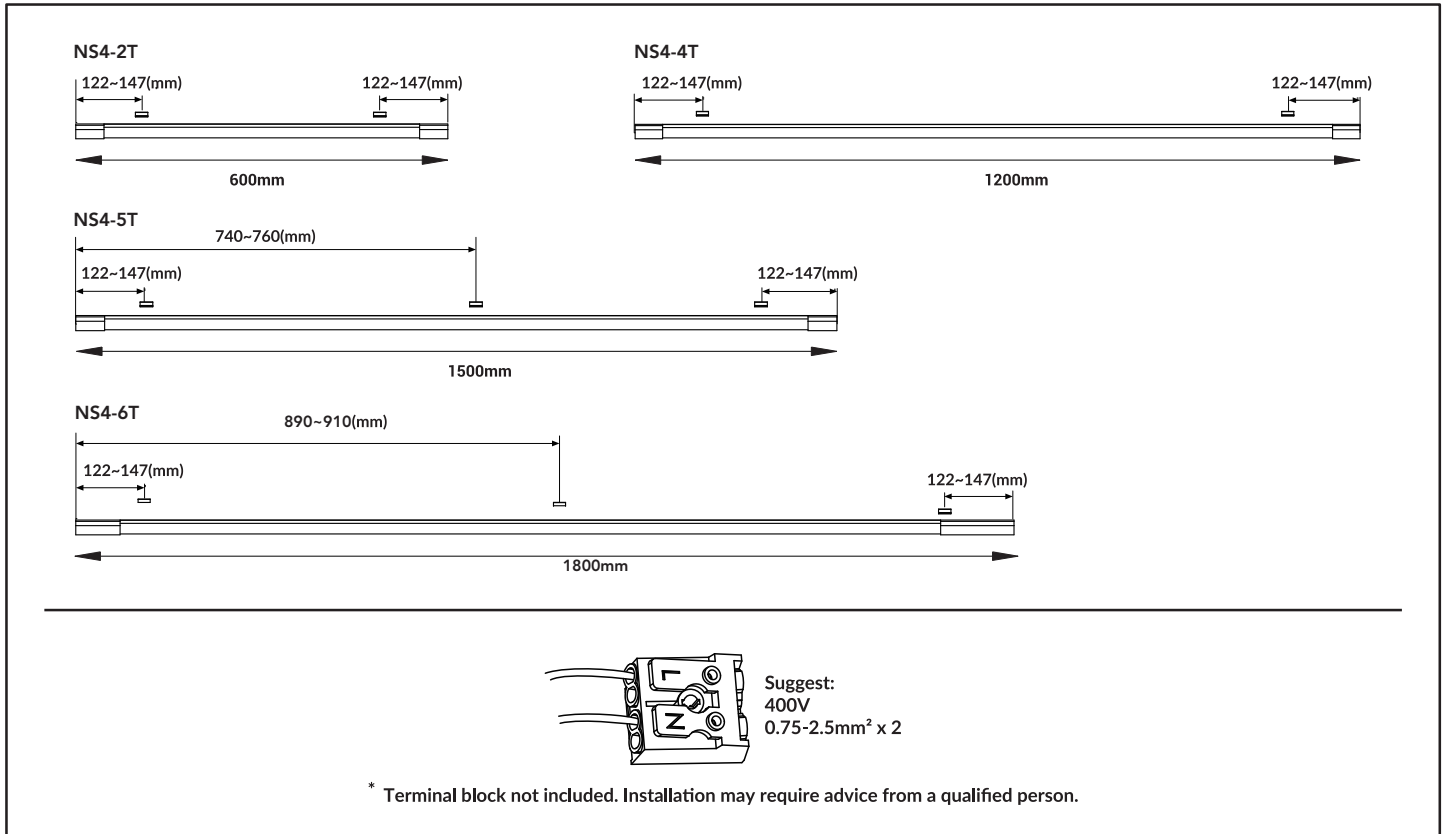
# SLIM BATTEN | NOVA IV

## Instruction Manual



# SLIM BATTEN | NOVA IV

## Instruction Manual



### Caution - Risk of Electric Shock!

The light source contained in this luminaire shall only be replaced by the manufacturer or his service agent or a similar qualified person.

This product contains a light source of energy efficiency class <X>

Part No.	P	I	CCT	Light source energy efficiency class <X>	L (mm)		W (mm)		H (mm)
					L	W	W	H	
NS4-2T	10/15/20W	46/64/87mA	3000K/4000K/5000K/6500K	4000K<D>	600	75	75	24	24
NS4-4T	20/30/40W	93/134/175mA	3000K/4000K/5000K/6500K	4000K<D>	1200	75	75	24	24
NS4-5T	30/40/50W	136/177/222mA	3000K/4000K/5000K/6500K	4000K<D>	1500	75	75	24	24
NS4-6T	40/50/55W	180/220/235mA	3000K/4000K/5000K/6500K	4000K<D>	1800	75	75	24	24

Type	Inrush Current A	Inrush Duration μs	Number on single-pole power circuit breakers(CB)			
			B10	B16	C10	C16
NS4-2T	31.2	204.0	7	10	11	18
NS4-4T	37.4	272.0	4	7	7	12
NS4-5T	58.2	123.0	8	13	14	22
NS4-6T	60.2	119.0	8	13	14	22

For use in environments where an accumulation of conductive dust on the luminaire may be expected.