

SPECIFICATION

HAZLIGHT ZONE 2 - ATEX



Ex-Proof Floodlights

Atex



Gas explosion proof: ZONE 2
 Dust explosion proof: ZONE22
 II 3G Ex ec IIC T5 Gc
 II 3D Ex tc IIIC (T95 °C) Dc
 Complies with 2014/34/EU ATEX
 Directive

Mechanical Specifications

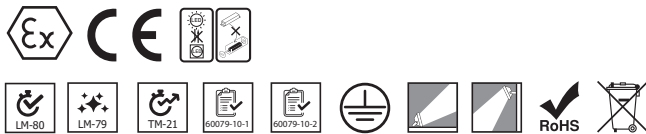
Body	Aluminium
IP Rating	IP66
IK Rating Body	IK08
Fire Protection	650°C
Cable Gland	PG11
Cable	3x1,5mm ²
RAL Code	1023
Mounting Type	Pole / Ground

Optical Specifications

Light Source	Power LED
Reflector	-
Lens	PMMA
Diffuser	Tempered Glass
CRI	>70
Colour Temperature	3000K / 4000K / 6500K
Photobiological Risk Group	RG1
Beam Angle	30° / 60° / 90°

Electrical Specifications Input

Voltage	220-240Vac
Frequency	50-60Hz
Class	I
System Lifetime	>50.000h
Power Factor	>0,95
Operating Temperature	-20°C / +55°C
Standards	EN60598-2-5, EN62262, EN60529, EN13032, LM79, LM80, 60079-10-1, 60079-10-2



Code No	Power (W)	Luminous Flux (lm)	Colour Temp. (K)	Efficacy (lm/W)	Dimensions (mm) a x b x c	Pcs / Pack	Package Vol. (m ³)	Package Weight (kg)
HAZ2FL-5090/4K	50	8650	4000	173	342x342x121	1	0,0262	8
HAZ2FL-7590/4K	75	12225	4000	163	342x342x121	1	0,0262	8
HAZ2FL-10090/4K	100	15700	4000	157	342x342x121	1	0,0262	8
HAZ2FL-12590/4K	125	20000	4000	160	342x342x121	1	0,0262	8
HAZ2FL-15090/4K	150	22050	4000	147	342x342x121	1	0,0262	8
HAZ2FL-20090/4K	200	29600	4000	148	342x342x121	1	0,0262	8

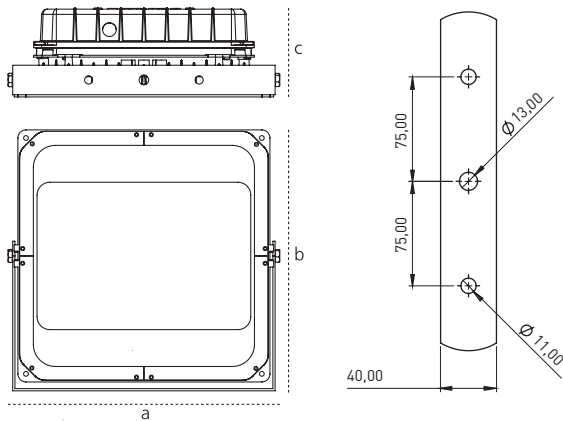
Replace FL with the following for
 Street Light SL
 High Bay HB
 Canopy CL

Please Note: Product specifications are subject to change without notice. Product supplied may differ slightly in appearance from images shown on this website. Diamond LED Lighting reserve the right to update product specifications.

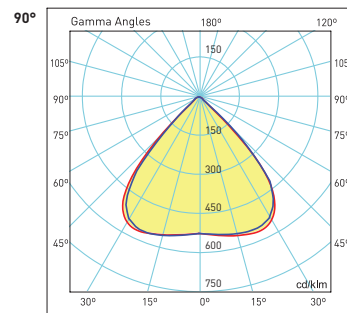
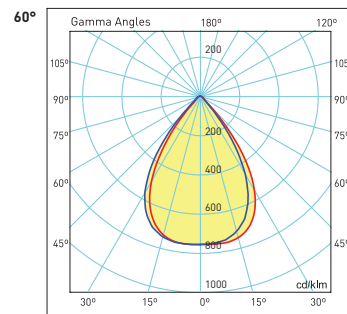
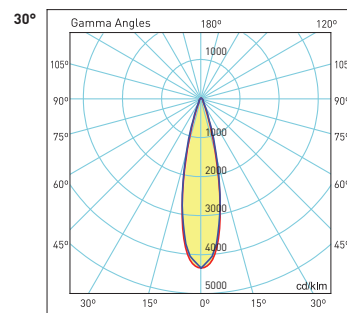
Tel: 01260 292 640 | Fax: 01260 279 116 | E-mail: sales@diamondledlighting.co.uk | Web: www.diamondledlighting.co.uk



Technical Drawing



Light Distribution Curve



Cone Diagram

