

SPECIFICATION

Guardian Corner



A high quality luminaire designed for internal or external applications, rated IP65, IK10+, integral sensor and emergency options available. The Stronghold is an Anti vandal luminaire and tested to BSEN60529:1992 and A2:2013 and is available with a night light option.

Features

- Flat opal polycarbonate diffuser as standard
- Manufactured from mild steel
- IP65 & IK10
- Available with night light function
- Range of outputs available
- 22K, 27K, 3K, 4K, 5K, 65K LEDs

Applications

- Car Park
- Custodial
- External
- Mental Health
- Vandal Resistant

Options and Accessories

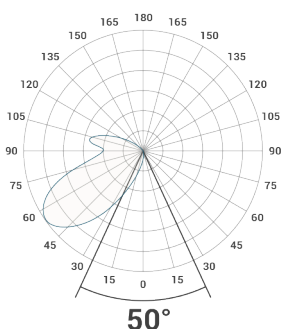
- EM** Integral Emergency
- EMST** Integral Emergency Self Test
- DD** SwitchDIM/DALI
- WL** Wireless Control System
- WLEM** Wireless Monitored Emergency
- NL** Night Light
- SI** Silver
- BL** Black



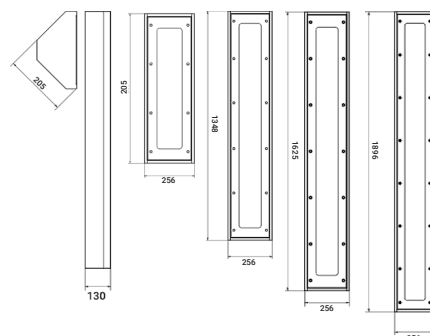
Technical Details

Part No.	Description	Power (W)	Luminaire Lumens	LI/cW
GCL-22W3/4K	Vandal Resistant Linear Luminaire White Body 900mm	22	2480	112.7
GCL-31W3/4K	Vandal Resistant Linear Luminaire White Body 900mm	31	3495	112.7
GCL-32W4/4K	Vandal Resistant Linear Luminaire White Body 1200mm	32	3607	112.7
GCL-44W4/4K	Vandal Resistant Linear Luminaire White Body 1200mm	44	4960	112.7
GCL-38W5/4K	Vandal Resistant Linear Luminaire White Body 1500mm	38	4284	112.7
GCL-44W5/4K	Vandal Resistant Linear Luminaire White Body 1500mm	44	4960	112.7
GCL-48W6/4K	Vandal Resistant Linear Luminaire White Body 1800mm	48	5411	112.7
GCL-68W6/4K	Vandal Resistant Linear Luminaire White Body 1800mm	68	7666	112.7

Photometric



Dimensions



Please Note: Product specifications are subject to change without notice. Product supplied may differ slightly in appearance from images shown on this website. Diamond LED Lighting reserve the right to update product specifications.

Tel: 01260 292 640 | Fax: 01260 279 116 | E-mail: sales@diamondledlighting.co.uk | Web: www.diamondledlighting.co.uk