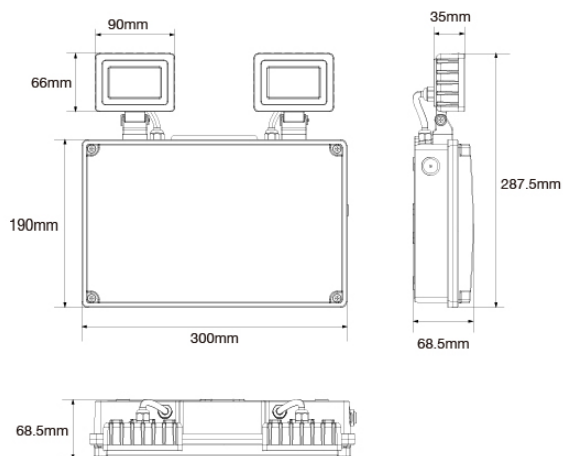


SPECIFICATION

Scorpio II

IP65 Emergency LED Twinspot



Part Number	EMRTS/LED
Wattage	2 x 1.5W
Input Voltage	220-240V
Type	Non Maintained
Output Lumens	500lm
Instant Light	Yes
Operating Temp	0-40°
IP Rating	IP65
Emergency Time	3 hours
Battery	LiFePO4 3.2V 3.3Ah
Dimensions (mm)	300 x 287.5 x 68.5

Key Features

- Non maintained
- 3 hour duration
- Light Weight
- Self Test Available
- 4 year warranty



Please Note: Product specifications are subject to change without notice. Product supplied may differ slightly in appearance from images shown on this website. Diamond LED Lighting reserve the right to update product specifications.

Tel: 01260 292 640 | Fax: 01260 279 116 | E-mail: sales@diamondledlighting.co.uk | Web: www.diamondledlighting.co.uk