

# EMERGENCY 1W NON MAINTAINED DOWN LIGHT OD2-WO

**A** Disconnect the power supply

OFF

220-240VAC  
50/60Hz

Dis Disconnect the power supply

5mm 20mm 110mm 173mm 3mm

23mm 30mm

23mm 24mm 22mm 24mm

∅40mm 46mm ∅40mm 46mm

**B** Wiring

Line:  
L: BROWN  
N: BLUE

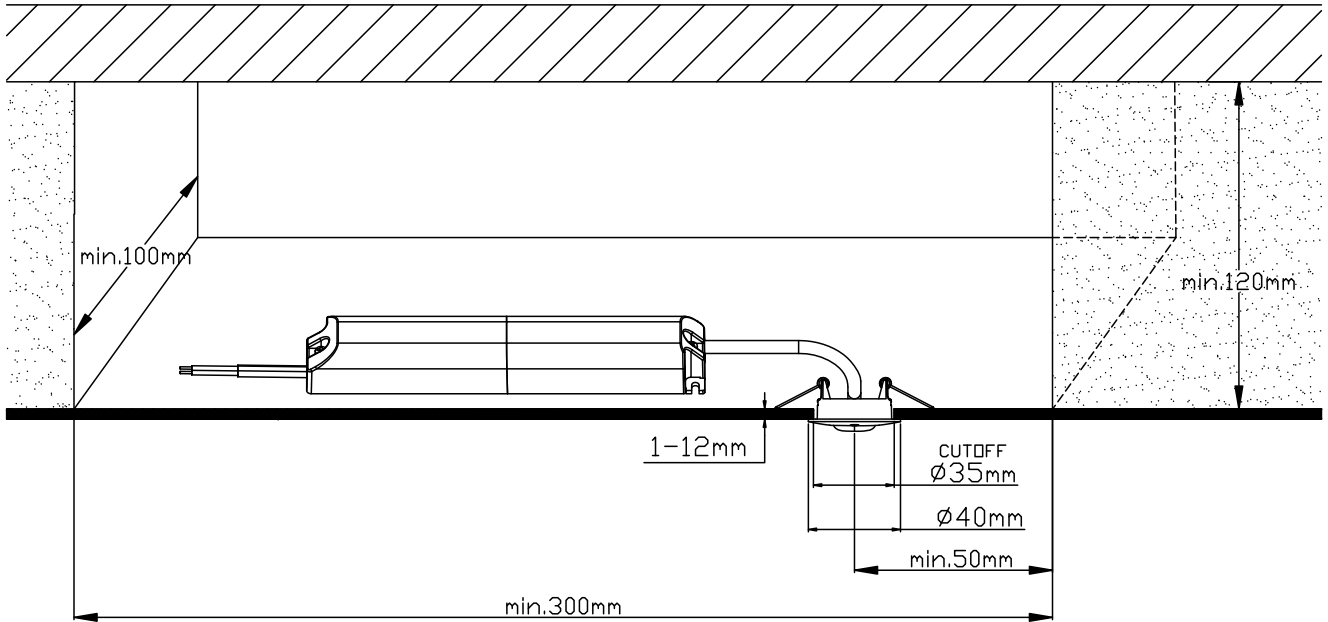
**C** Light source replacement

C1

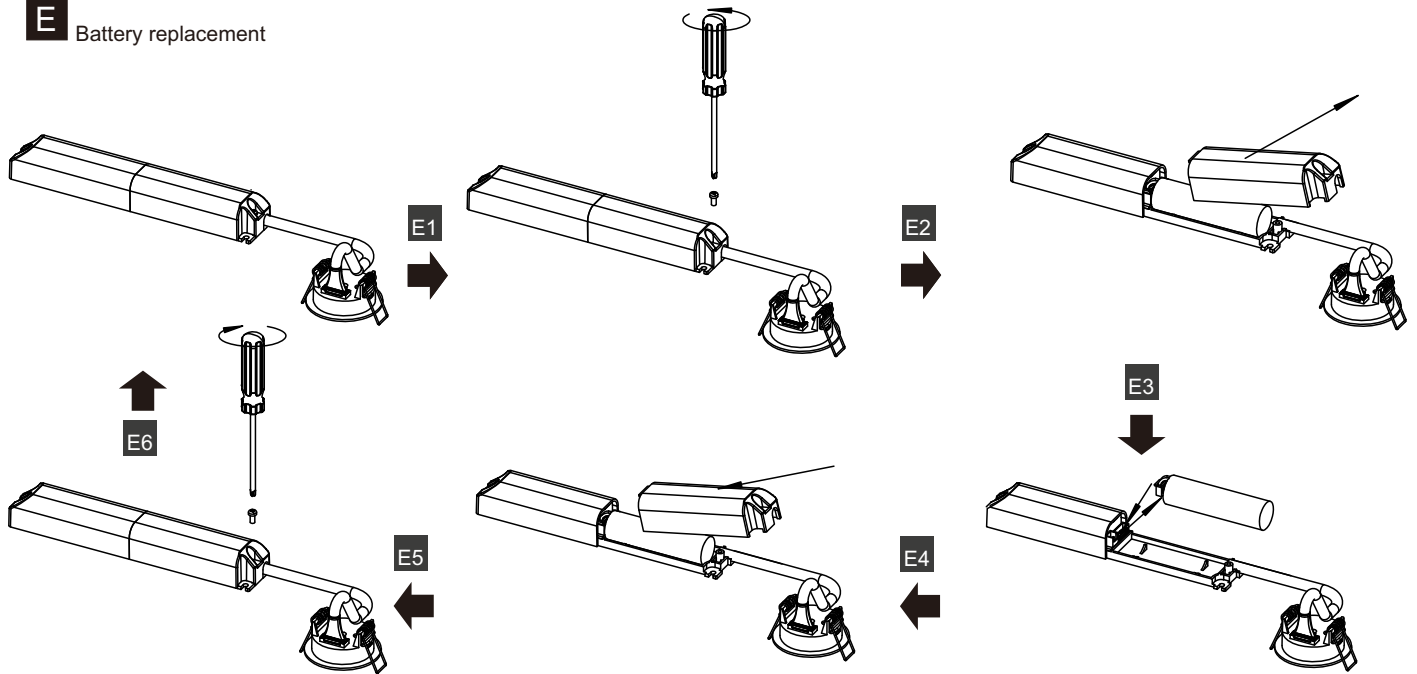
C2

C3

## D Installation

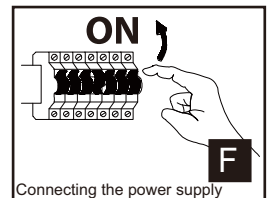


## E Battery replacement



### Important notes!

All maintenance, such as changing the batteries or light source on this luminaire, should only be performed by professionals. Before maintenance, please disconnect all power sources.



## G Important

- The electric source for safety service is not a user serviceable item and shall only be replaced by the manufacturer service agent or a similar qualified person.
- The company accept no responsibility for incorrect installation, incorrect operation or improper maintenance.
- After installation of the fitting, the battery must be charged for 24 hours for duration test.
- Battery should be charged every three months in order to keep it's initial performance.
- When the lamp reaches the rated life, the whole lamp needs to be replaced. The drawing in the fitting may vary to the actual product, connect as per label on fitting.
- When fitting a flush fitting, refer to installation instruction, including any ceiling manufacturer's instructions.
- The drawing in the fitting may vary to the actual product, connect as per label on fitting.
- The recharging device will recharge the battery ESSS normally after removal the short circuit link and reconnecting the ESSS.
- Double or reinforce insulation between supply and battery/ESS circuits and based on a working voltage of 250V;