

# SPECIFICATION



## Corner Adapter Bracket

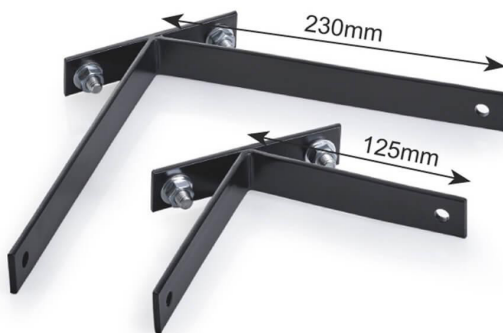
For use with CE-BRACKET2



Part Number	CE-ADAPTBRACKET
Max Weight	6Kg
Suitable Floods	30W/50W/80W/100W when used with CE-BRACKET2
Dimensions (mm)	230 x 125

### Key Features

- For use with CE-BRACKET2
- Suitable for use with 30W - 100W Floodlights
- (Floodlight not included)



**Please Note:** Product specifications are subject to change without notice. Product supplied may differ slightly in appearance from images shown on this website. Diamond LED Lighting reserve the right to update product specifications

Tel: 01260 292 640 | Fax: 01260 279 116 | E-mail: [sales@diamondledlighting.co.uk](mailto:sales@diamondledlighting.co.uk) | Web: [www.diamondledlighting.co.uk](http://www.diamondledlighting.co.uk)